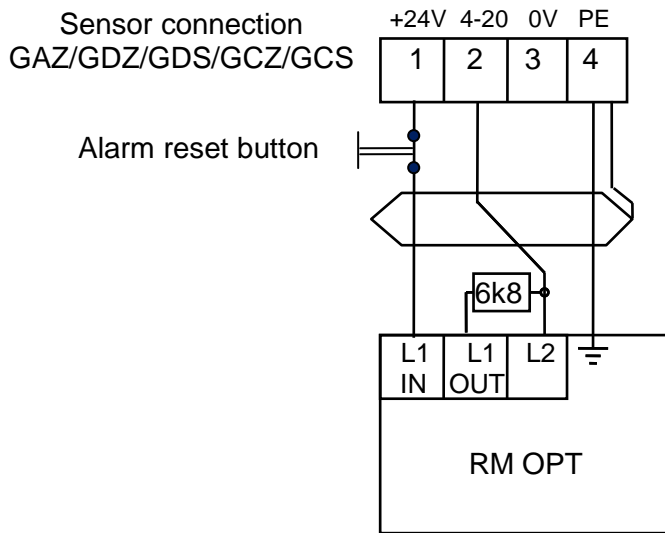


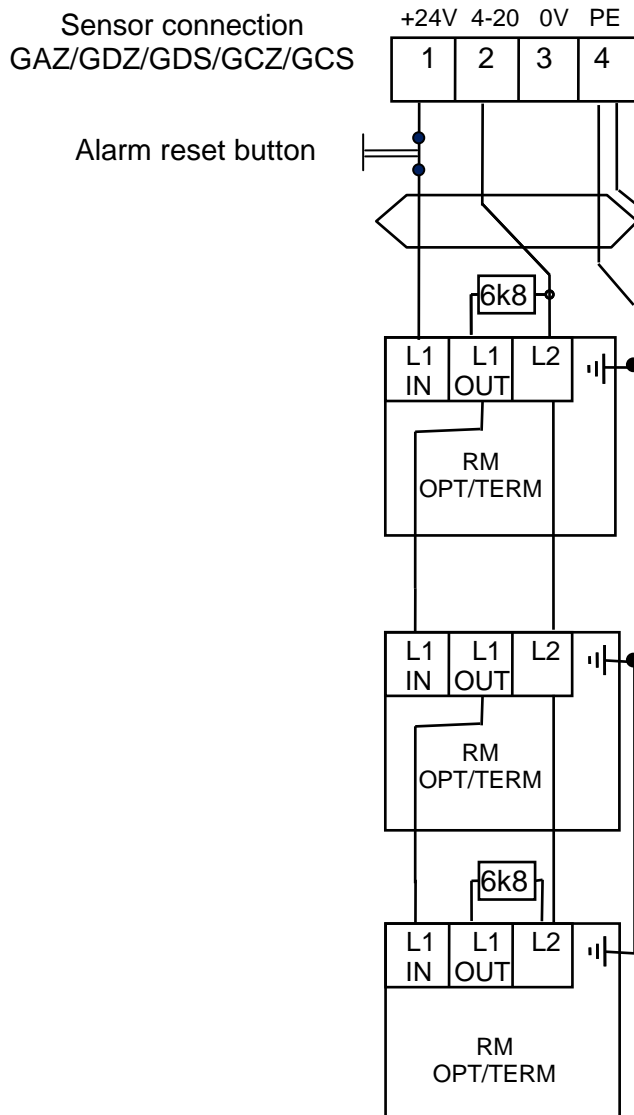
**Connection RM OPT to GAZ/GDZ/GDS/GCZ/GCS**

**Connecting a single fire alarm at a Gas detection system**



Detector provided with line terminating resistance!  
 (6k8)

**Connecting multiple detectors to a Gas detection system**



final detector provided with line terminating resistance!  
 (6k8)